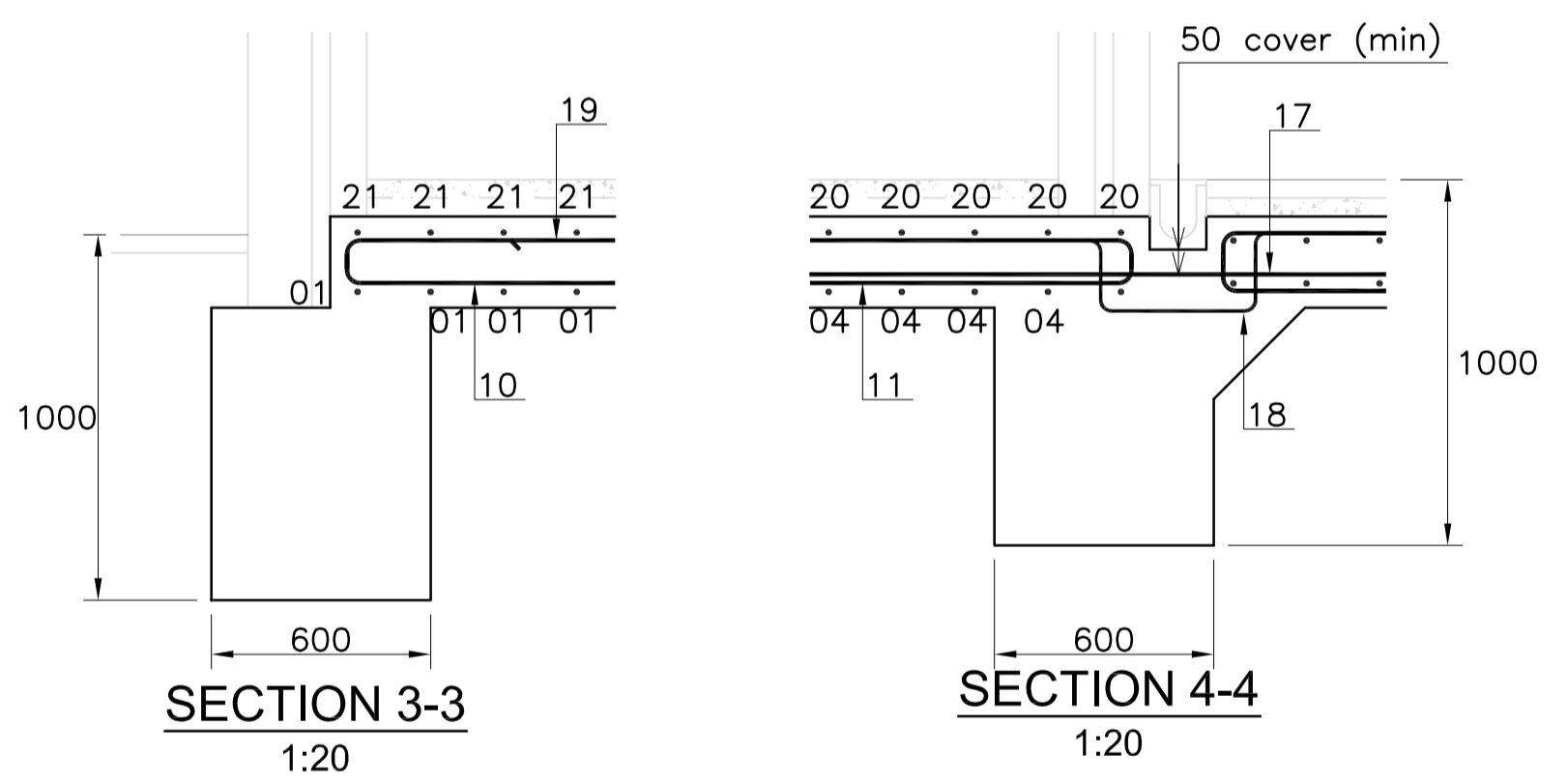
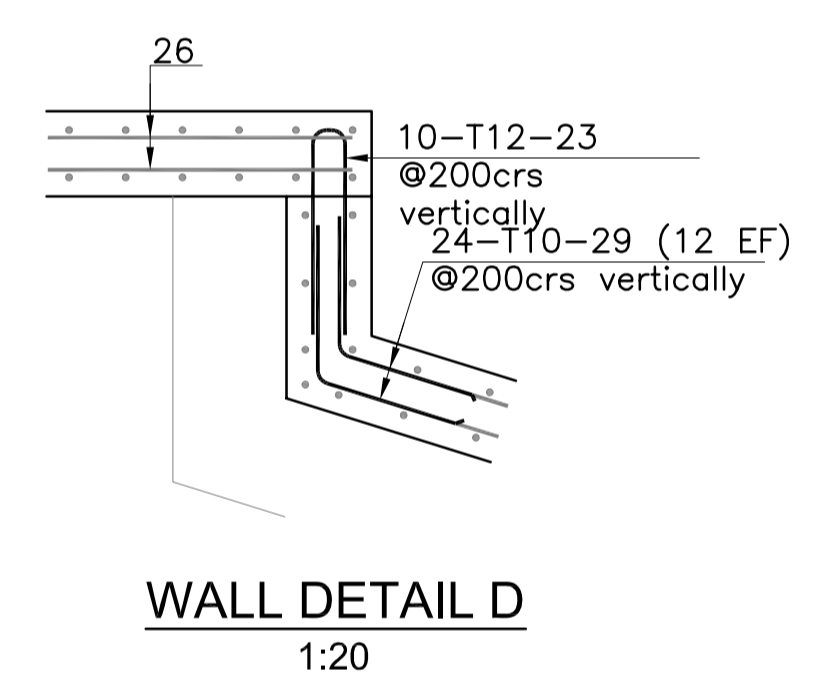
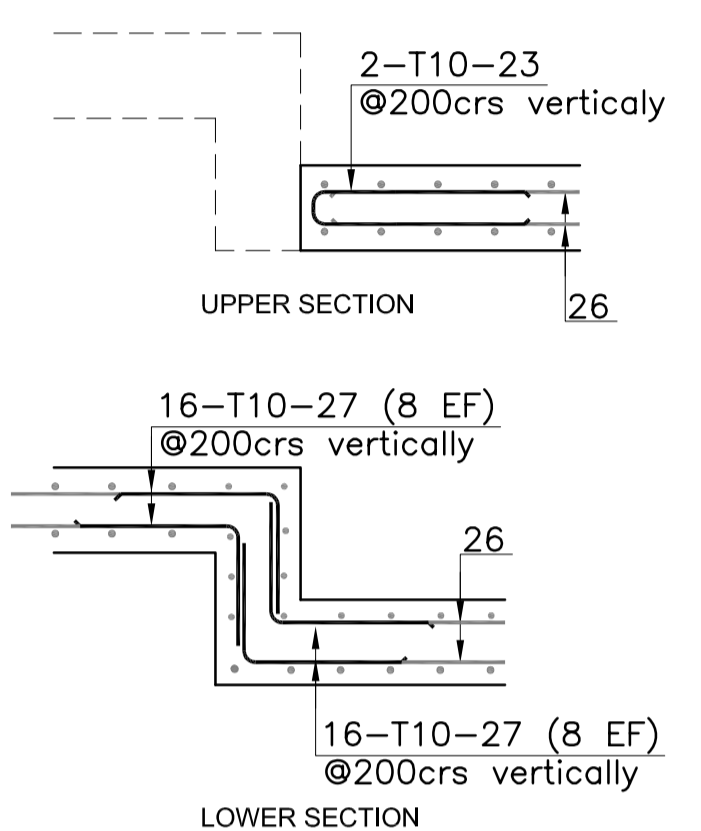
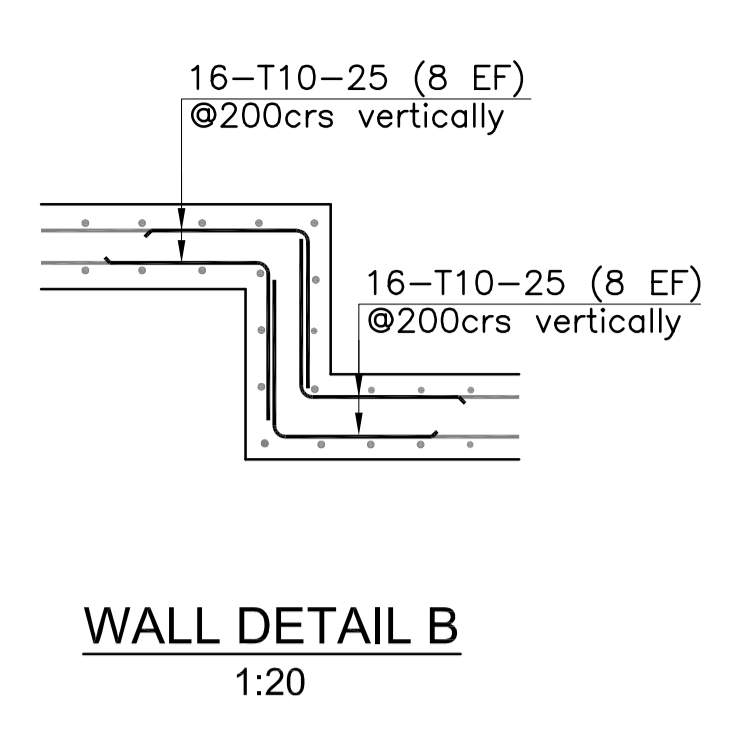
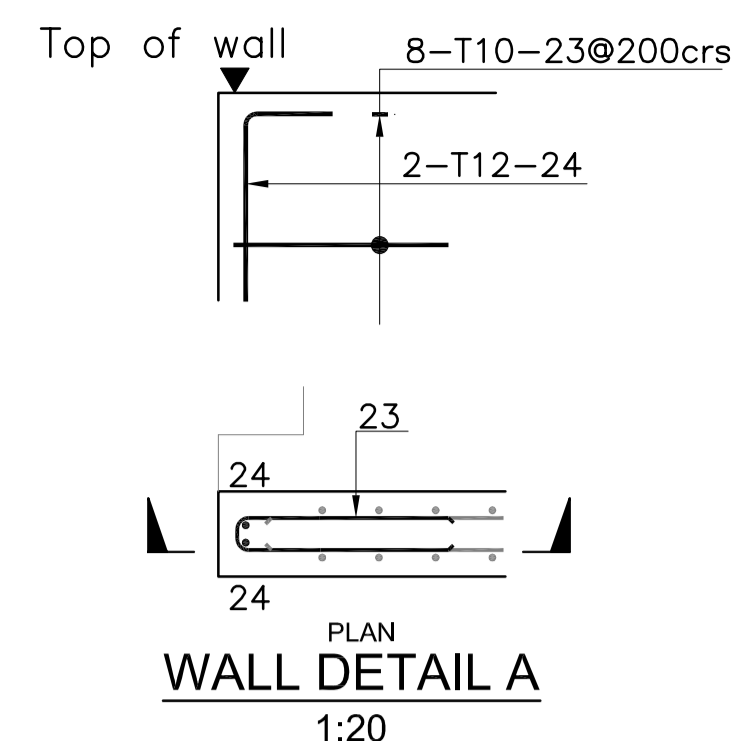
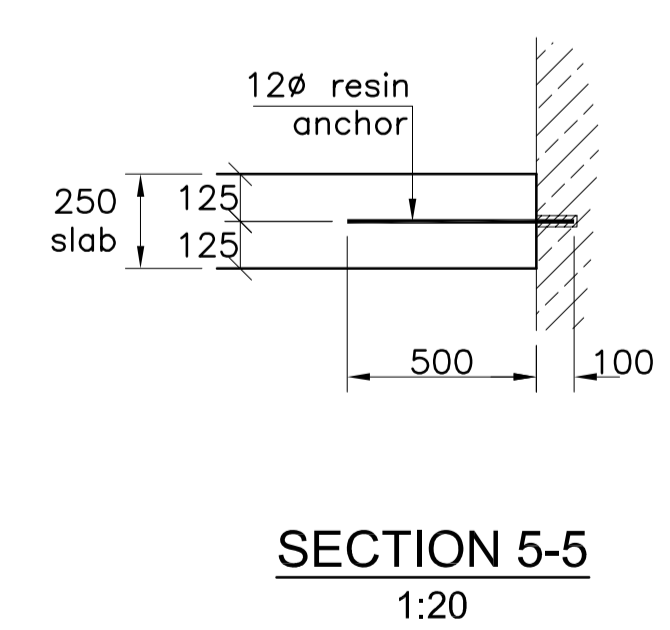
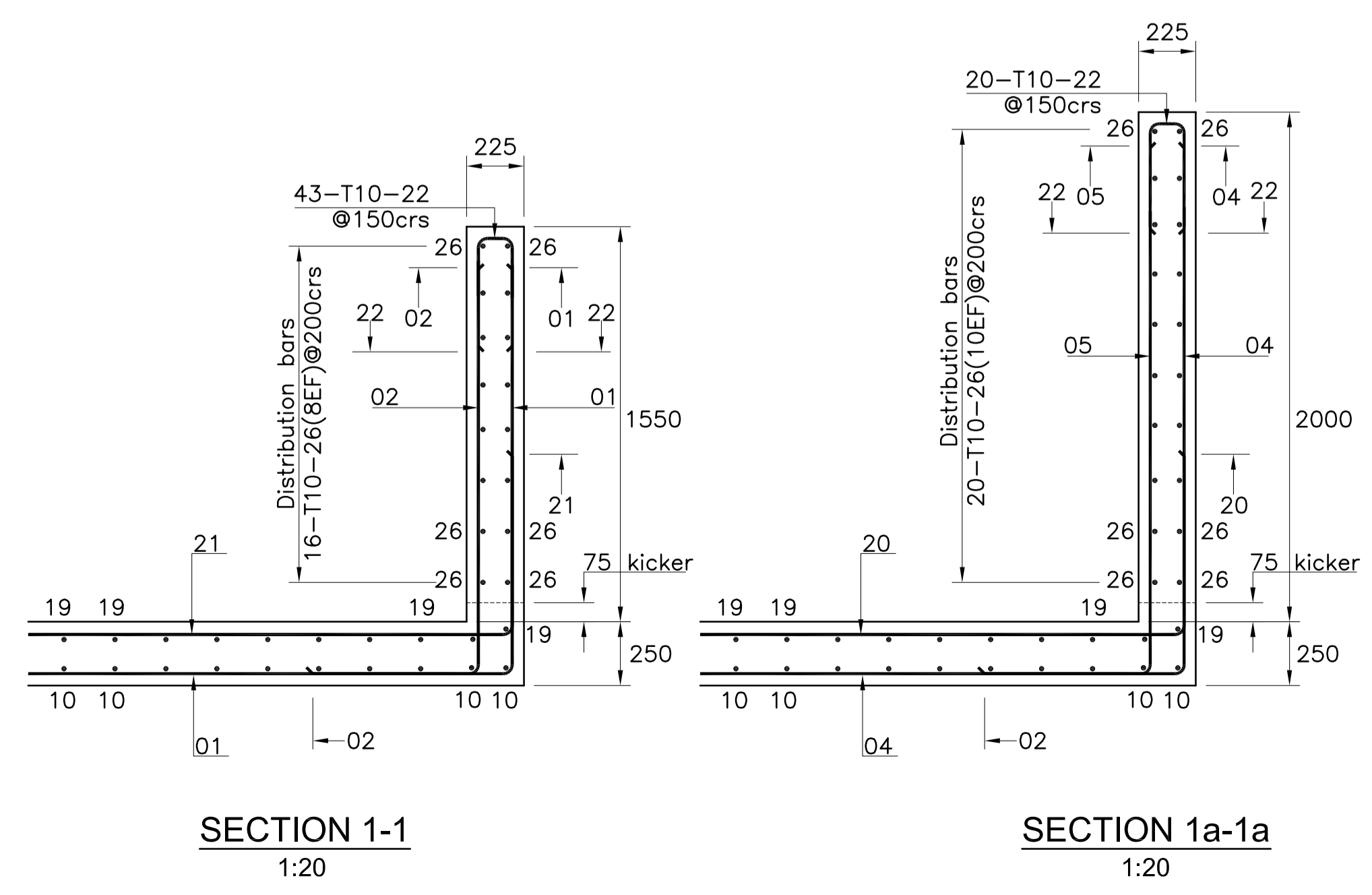


PLAN
1:20



SEE WALL DETAIL B
SEE WALL DETAIL C
SEE WALL DETAIL D



- Notes:**
- 1) Read in conjunction with architectural drawings, Structural Specification & drg30607/1.
 - 2) Concrete to be grade C40
 - 3) Cover to reinforcement to be 40mm
 - 4) Reinforcement shown on this drawing is listed on Bending Schedules 30607/2 shts 01 & 02
 - 5) EF=each face.

Rev B: 8-7-04: Details altered.
Rev A: 31-7-03: Drg completed.

DCS Associates CONSULTING Structural Engineers

55A High Street, Keynsham, BRISTOL, BS31 1DS
Fax/Answerphone 0117 9866317; Tel: 0117 9861633

© copyright CHARTERED ENGINEERS

| | | | | |
|-----------------|-----------------|---------------|------------------|--------------|
| Drawn By RJW | Date 20/7/03 | Scale 1:20 | JOB No. 30607 | Drg No. 2 |
|-----------------|-----------------|---------------|------------------|--------------|

Project: Single Storey Side Extension at Bath

Title: RETAINING WALL REINFORCEMENT DETAILS