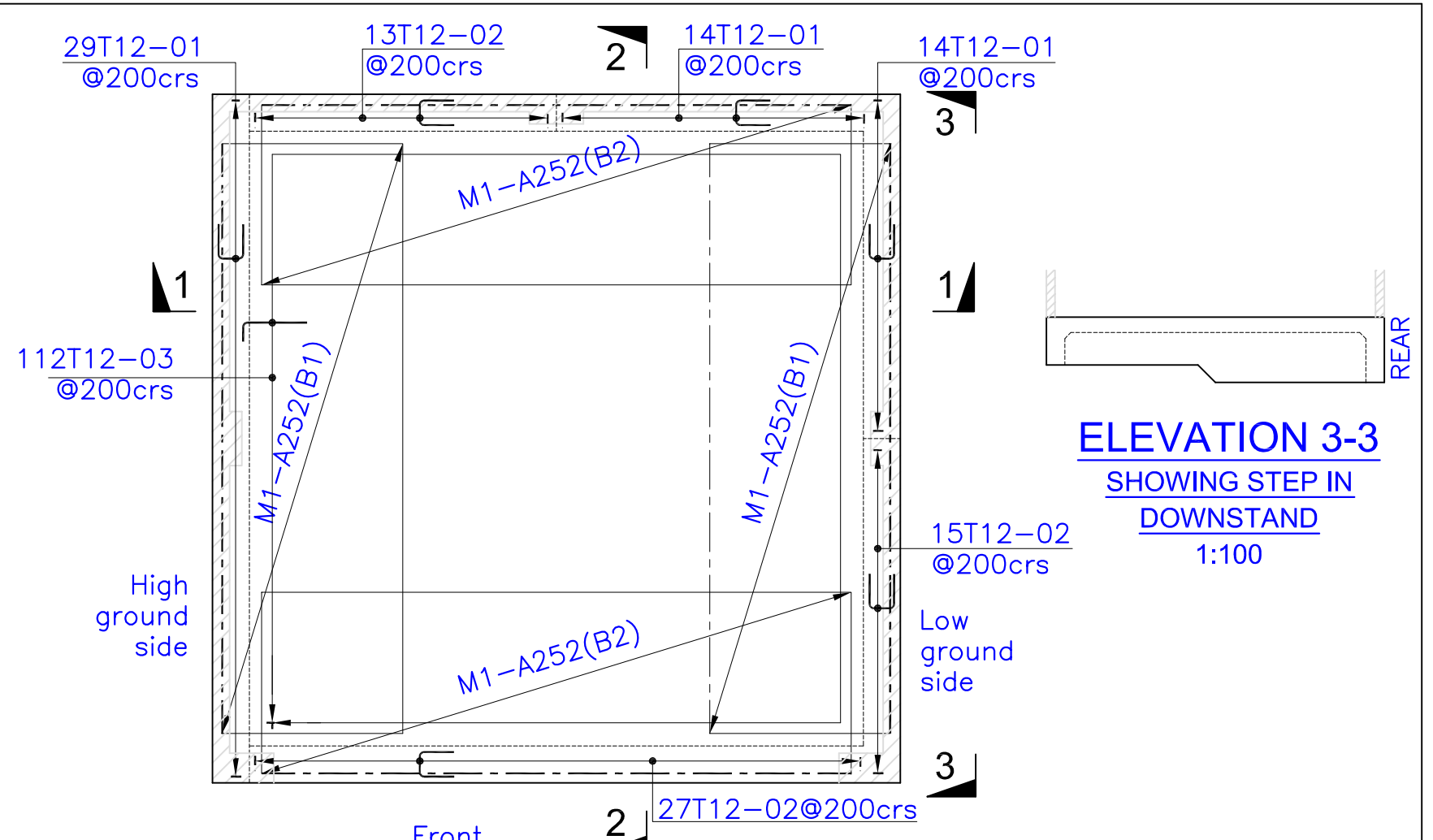
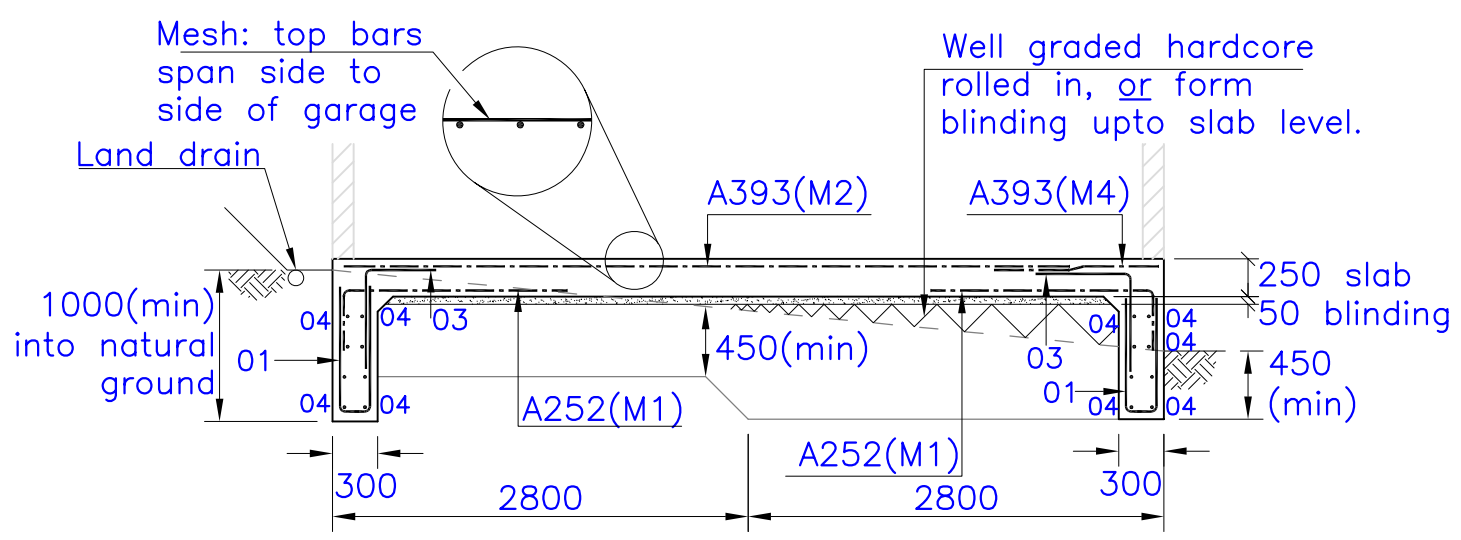


GARAGE FOUNDATION PLAN
SHOWING TOP MESH 1:50

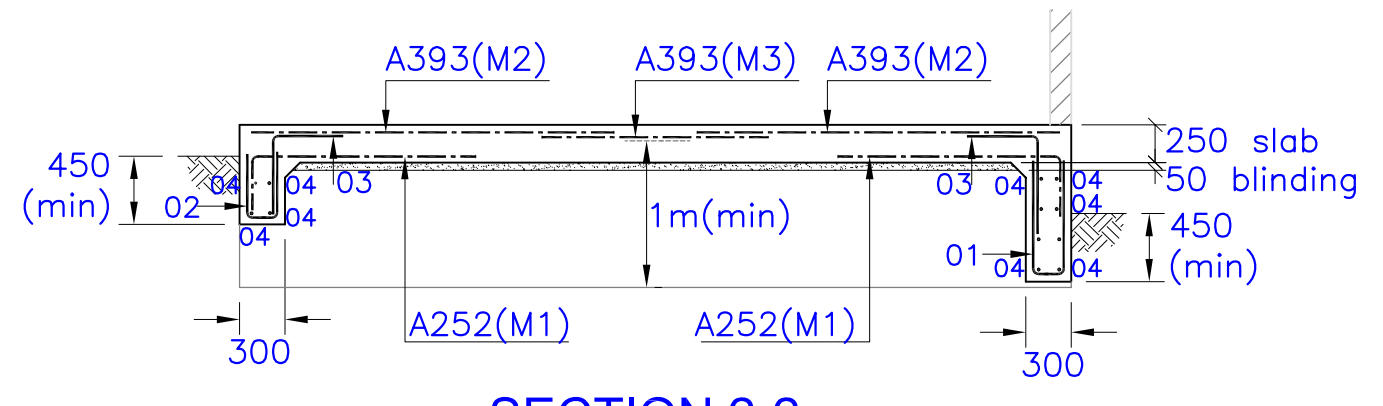


GARAGE FOUNDATION PLAN
SHOWING BARS & BOTTOM MESH 1:50

ELEVATION 3-3
SHOWING STEP IN
DOWNSTAND
1:100



SECTION 1-1 1:50




SECTION 2-2 1:50

Notes:

- 1) Read in conjunction with architectural drawings.
- 2) Concrete to be grade C40, blinding concrete grade C7
- 3) Required AGBP = 30 kN/m
- 4) Strip top soil for raft area. If ground surface is soft prior to blinding then roll in a minimum of hardcore.
- 5) Cover to reinforcement to be 40mm to nearest bar
- 6) Reinforcement shown on this drawing is listed on Bending Schedules 40903/1 shts 01 & 02
- 7) T1=top layer, T2=second top layer (ie below T1)
B1=bottom layer, B2=second bottom layer (ie above B1)

These details are for the raft foundation only, see architects details for superstructure.

Rev B:22.09.04: Details added & amended.
Rev A:21.09.04: Reinforcement & additional details added.

DES Associates Consulting Structural Engineers <small>55A High Street, Keynsham, BRISTOL, BS31 1DS Fax/Answerphone 0117 9866317: Tel: 0117 9861633</small>		Drawn By	Date	Scale	JOB No.	Drg No. B
		RJW	20.09.04	1:50	40903	1
		Project: Foundation For Garage & Conservatory				
Oakhill Somerset						
Title: GARAGE RAFT FOUNDATION DETAILS						