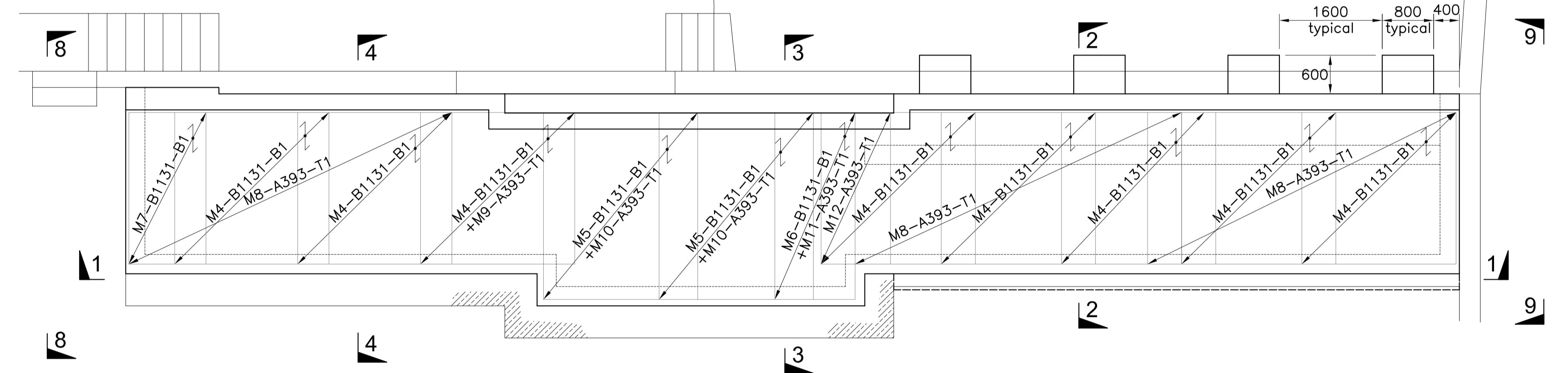
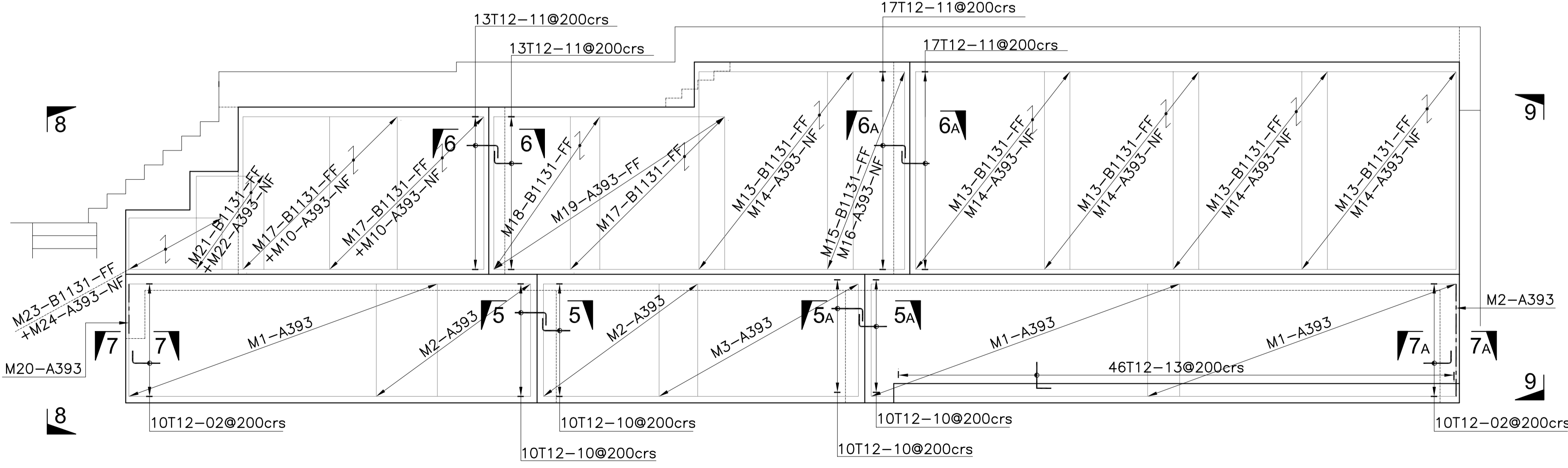


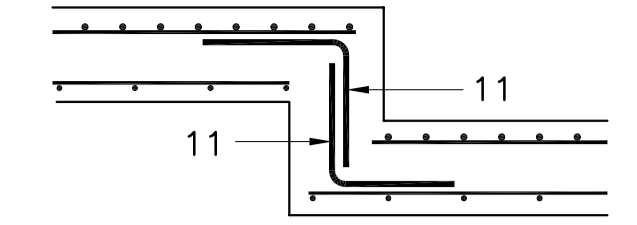
BASE SLAB PLAN 1:50
SHOWING BAR REINFORCEMENT



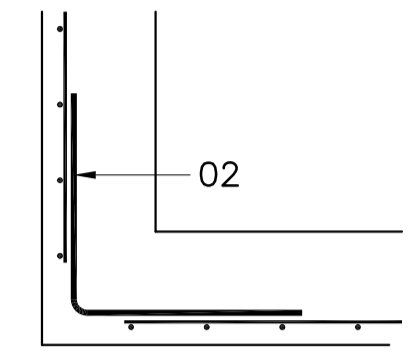
BASE SLAB PLAN 1:50
SHOWING MESH REINFORCEMENT



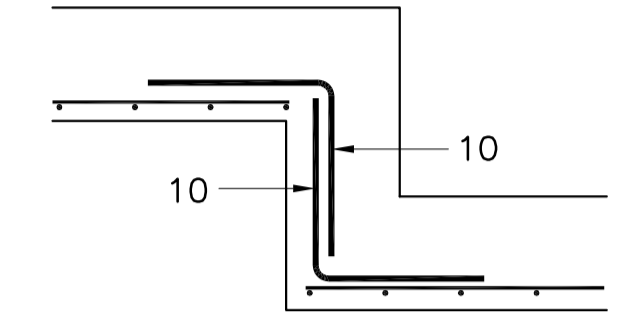
ELEVATION 1-1 1:50
SHOWING BAR & MESH REINFORCEMENT



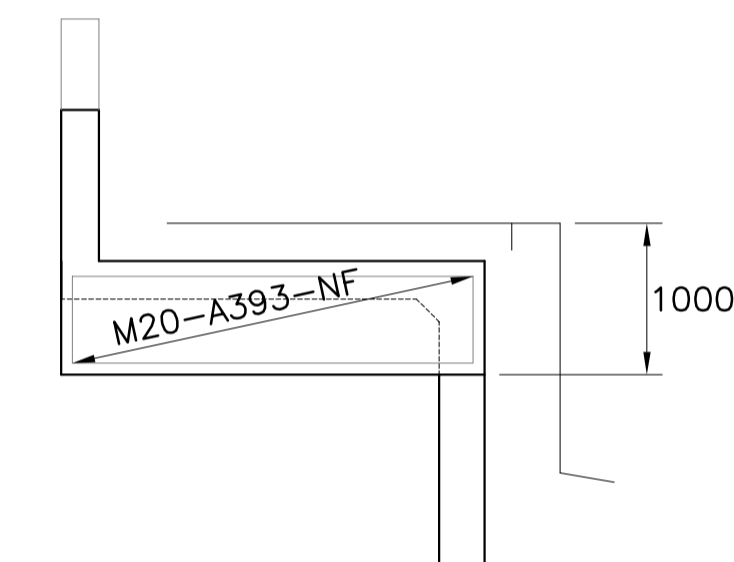
PLAN ON 6-6 1:20
6A-6A SIMILAR BUT HANDED



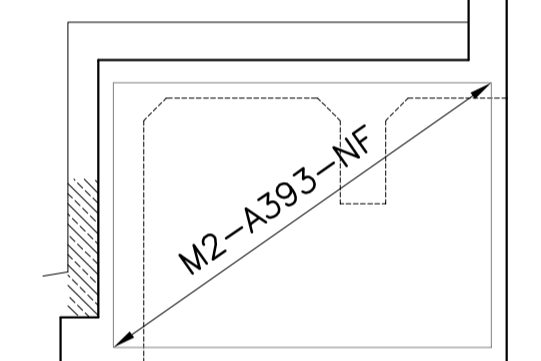
PLAN ON 7-7 1:20
7A-7A SIMILAR BUT HANDED



PLAN ON 5-5 1:20
5A-5A SIMILAR BUT HANDED



ELEVATION 8-8 1:50



ELEVATION 9-9 1:50

- Notes:**
- 1) Read in conjunction with drawing 60505/2 & Structural Specification.
 - 2) Concrete to be grade C40, blindign concrete C7
 - 3) Cover to reinforcement to be 40mm top and bottom, 50mm at ends U.N.O.
 - 4) Reinforcement shown on this drawing is listed on Bending Schedules 60505/1 shts 01 & 02
 - 5) FF=far face, NF=near face, B1=bottom layer, B2=2nd layer from bottom, T1=top layer, T2=2nd layer from top
 - 6) ↔ = span of main bars in rectangular mesh

DCS Associates
Consulting
Structural Engineers

55A High Street, Keynsham, BRISTOL, BS31 1DS
Fax/Answerphone 0117 9866317: Tel: 0117 9861633

DCS Associates

Drawn By	Date	Scale	JOB No.	Drng No.
RJW	18/9/06	1:50, 20	60505	1

Project **Garden Retaining Wall at**

Bath

Title **PLANS & ELEVATION**