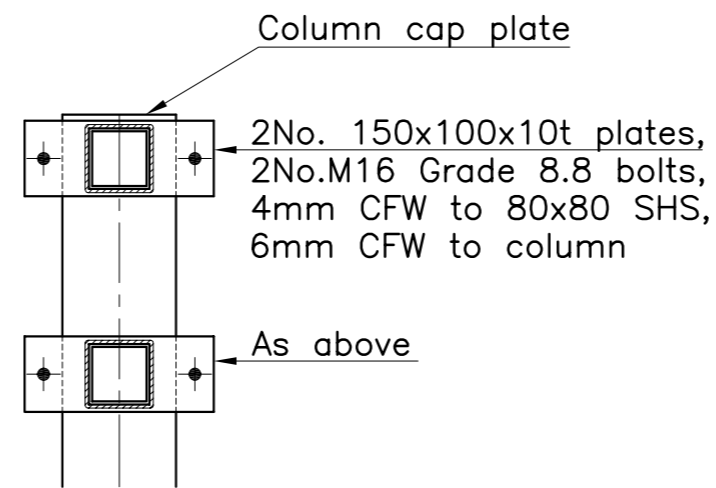
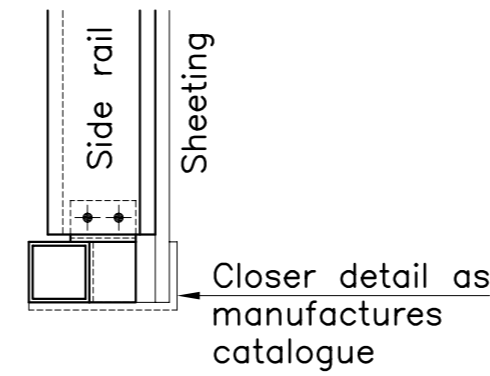
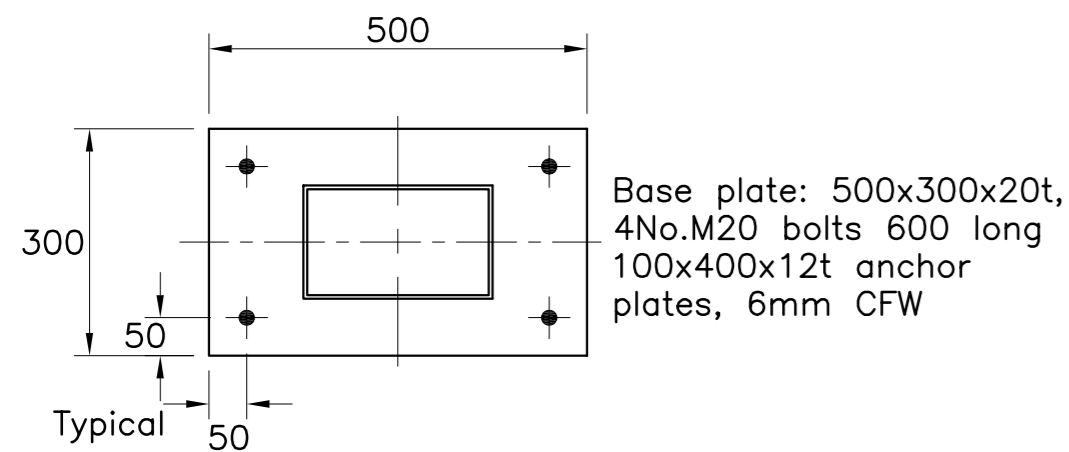
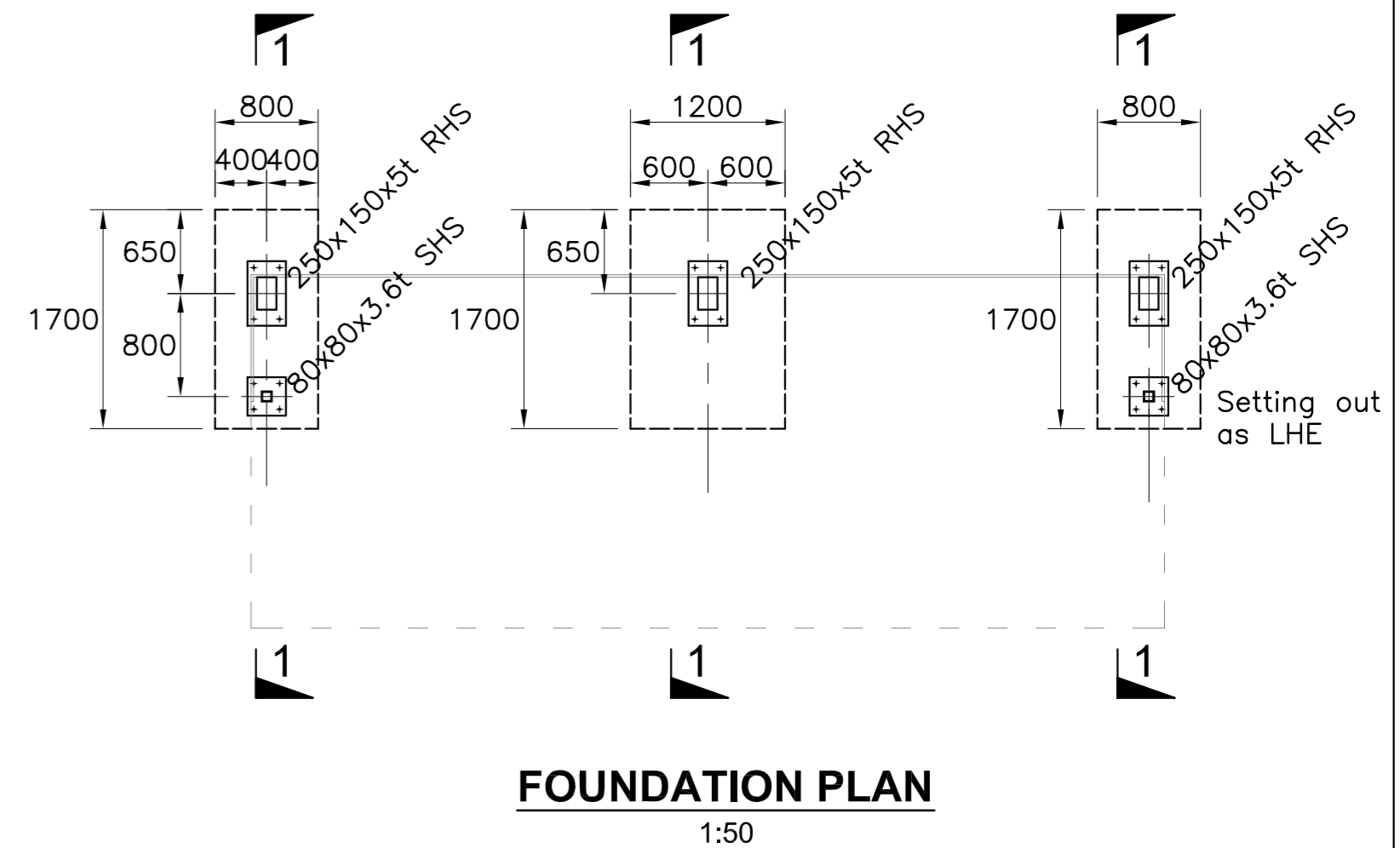
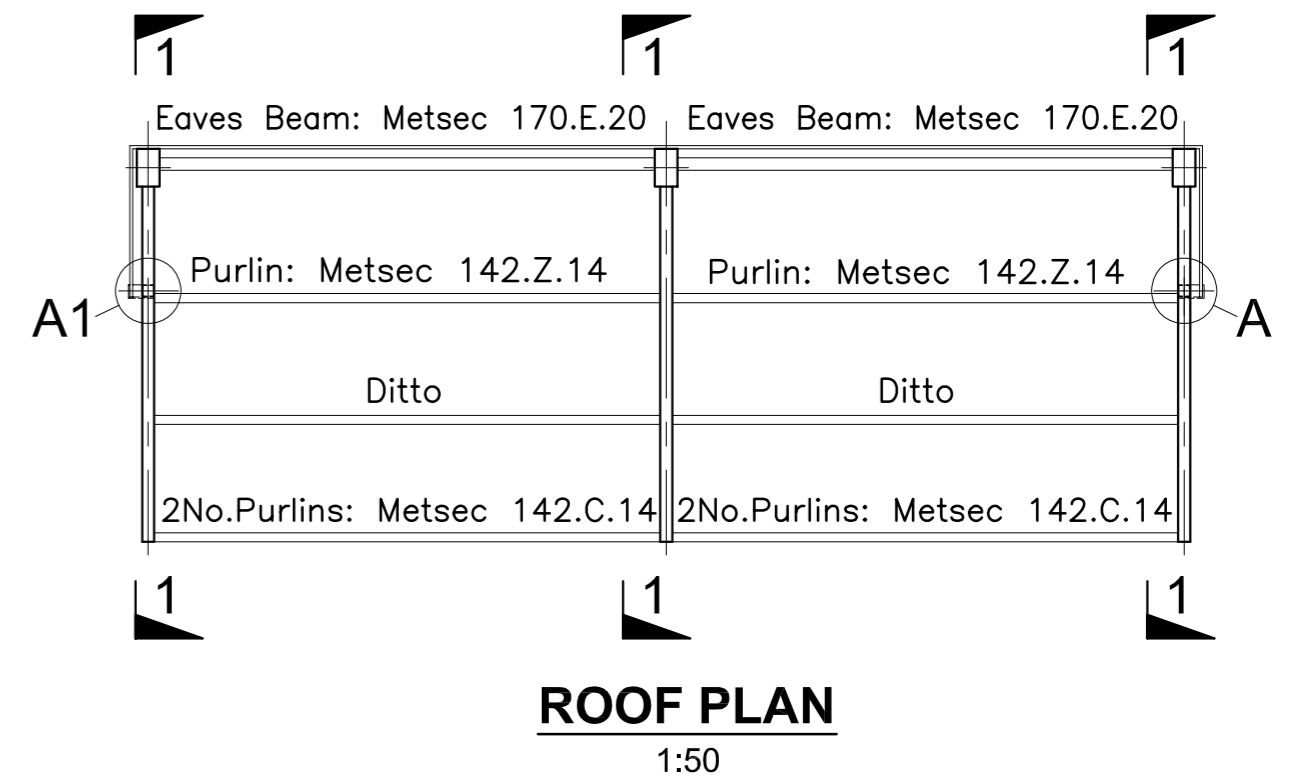


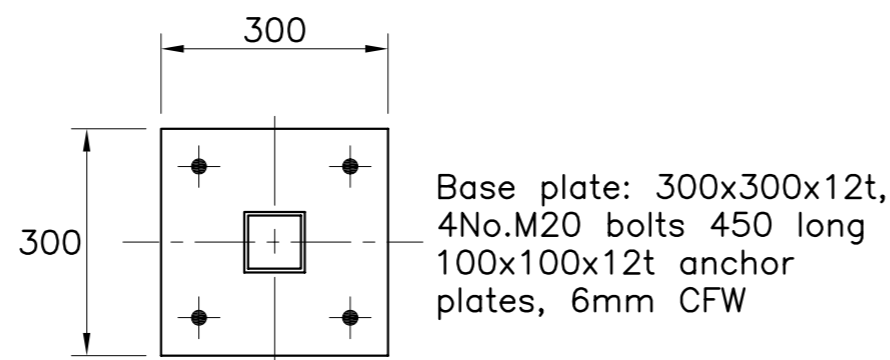
**DETAIL A**  
(A1 handed) 1:10



**ELEVATION 2-2**  
1:10



**250x150x5t RHS BASE PLATE**  
**3 NO. THUS** 1:10



**80x80x3.6t SHS BASE PLATE**  
**2 NO. THUS** 1:10

**Notes:**

- 1) Read in conjunction with architectural drawings.
- 2) All welds 6mm CFW U.N.O. CFW=continuous fillet weld.
- 3) Mass concrete foundations grade C20
- 4) Colour schemes to be agreed with client
- 5) All RHS sections to be sealed on completion.

**D C S Associates**  
**Consulting**  
**Structural Engineers**



55A High Street, Keynsham, BRISTOL, BS31 1DS  
Fax/Answerphone 0117 9866317: Tel: 0117 9861633

**DCS Associates**

Drawn By RJW	Date 15/3/06	Scale 1:20,25	JOB No. 60305	Drg No. 1
-----------------	-----------------	------------------	------------------	--------------

Project  
New Platform Shelter at  
Avon Riverside  
Avon Valley Railway  
Biton, Bristol

Title  
STRUCTURAL DETAILS