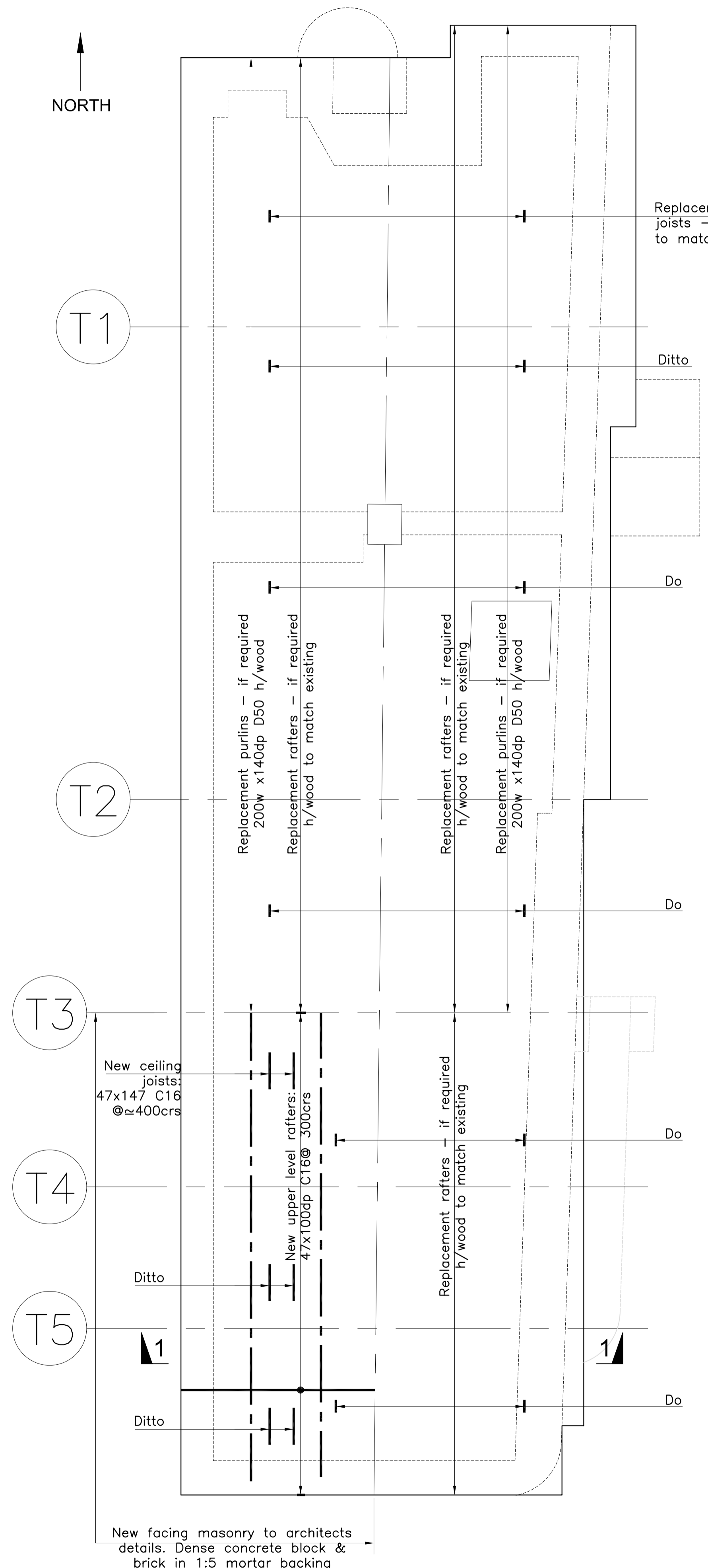
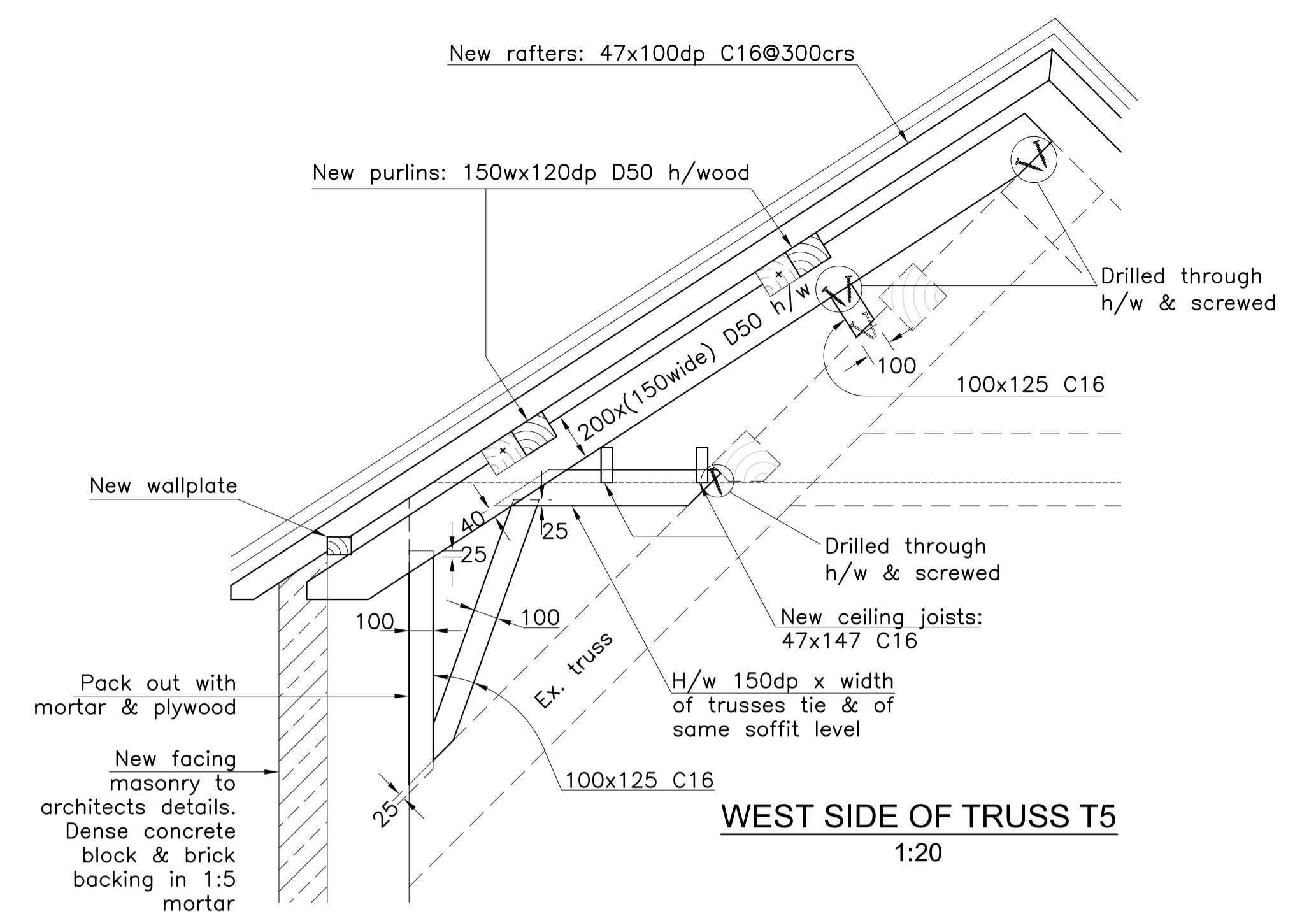


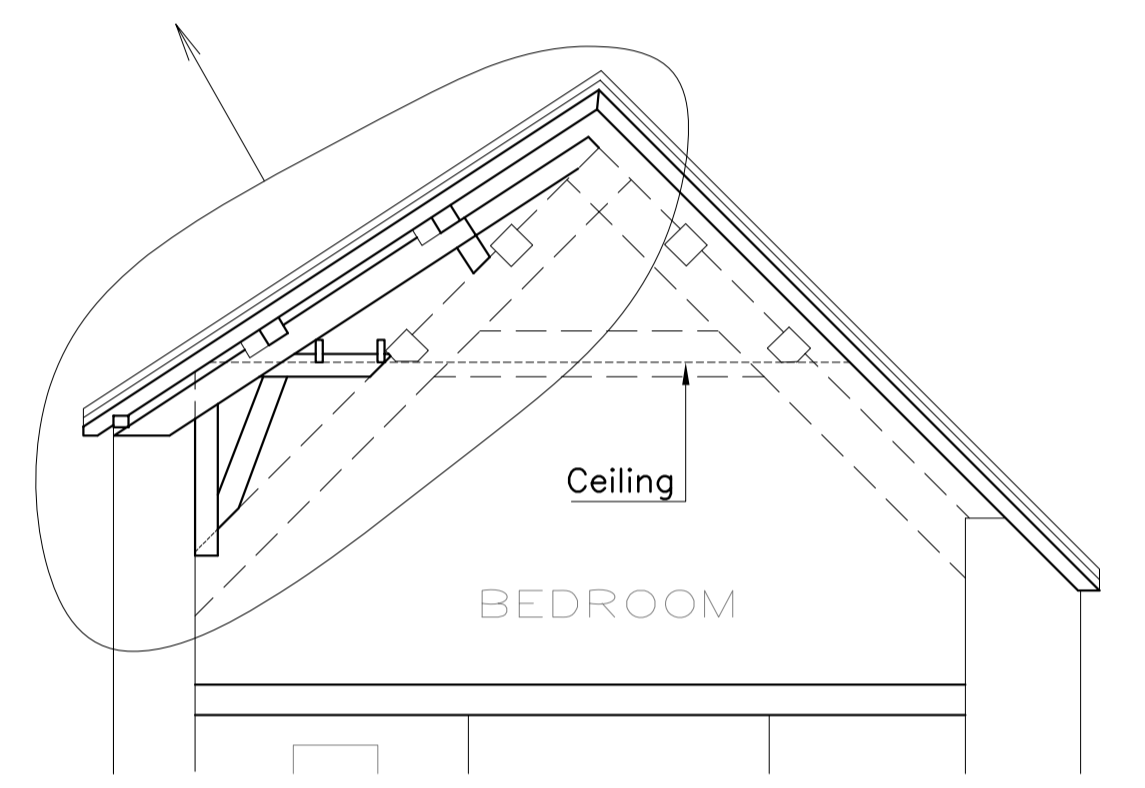
ROOF PLAN  
INITIAL STRUCTURAL RELATED WORK



ROOF PLAN

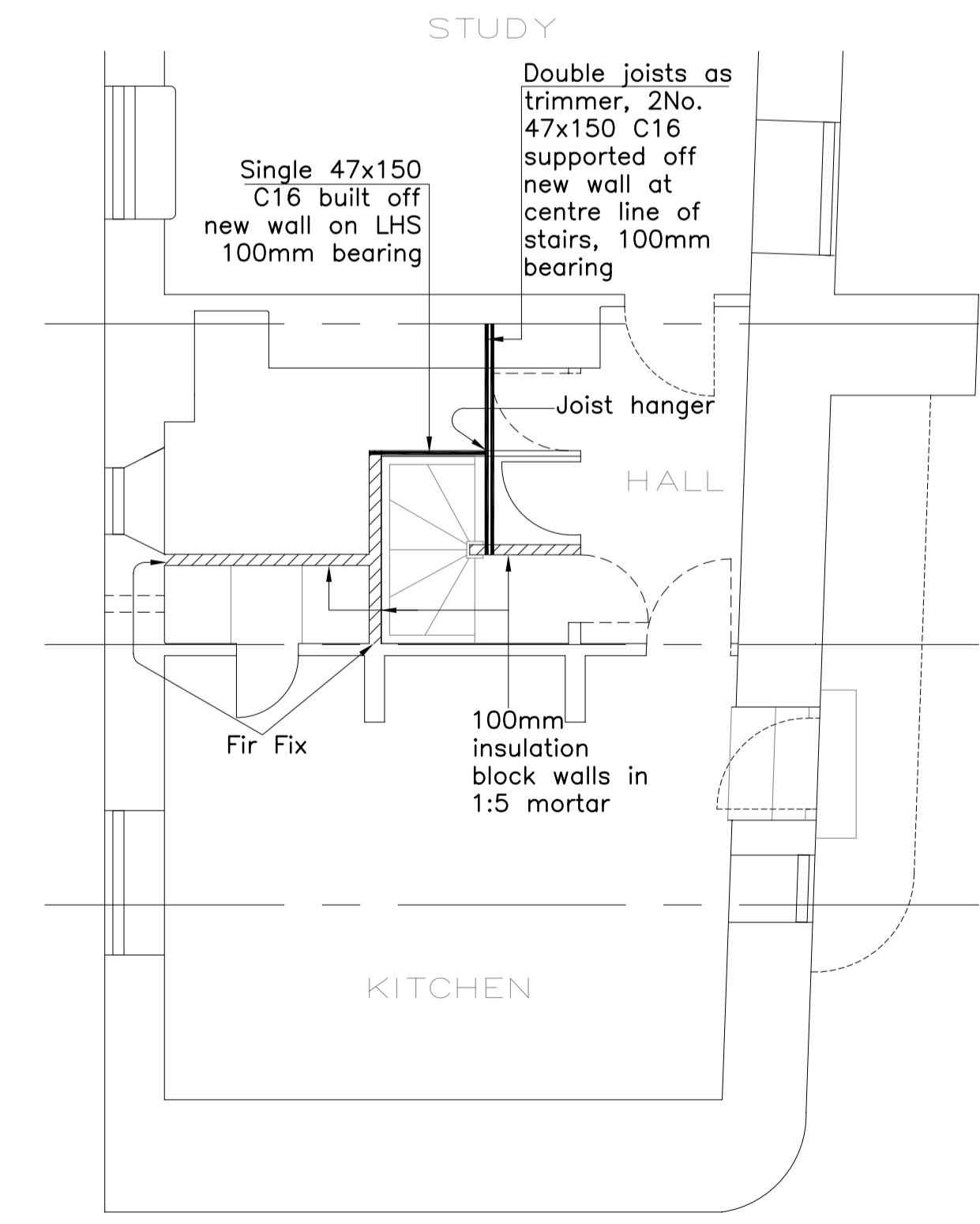


WEST SIDE OF TRUSS T5  
1:20



SECTION 1-1  
TRUSS T5

- Notes:
- 1) Read in conjunction with architectural drgs series H211
  - 2) D50 hardwood must have a minimum Modulus of Elasticity of 16 N/mm<sup>2</sup>
  - 3) New purlins to have full bearing on trusses/timber supports.
  - 4) After initial structural related work - roof to be inspected by DCS Associates, clerk of works & forman to agree in principle the replacement timber format.



PART GROUND FLOOR PLAN  
SHOWING STAIR TRIMMING STRUCTURE OVER

Rev B: 8-7-03: Truss connection details amended.  
Rev A: 2-7-03: Additional notes added.

**DCS Associates**  
Consulting  
Structural Engineers

55A High Street, Keynsham, BRISTOL, BS31 1DS  
Fax/Answerphone 0117 9866317: Tel: 0117 9861633

DCS Associates

Drawn By RJW	Date 25.06.03	Scale 1:50 UNO	JOB No. 30604	Drng No. 1 <sup>B</sup>
-----------------	------------------	-------------------	------------------	----------------------------

Project: Alterations & Extension at  
Milverton, Taunton  
Title: STRUCTURAL DETAILS