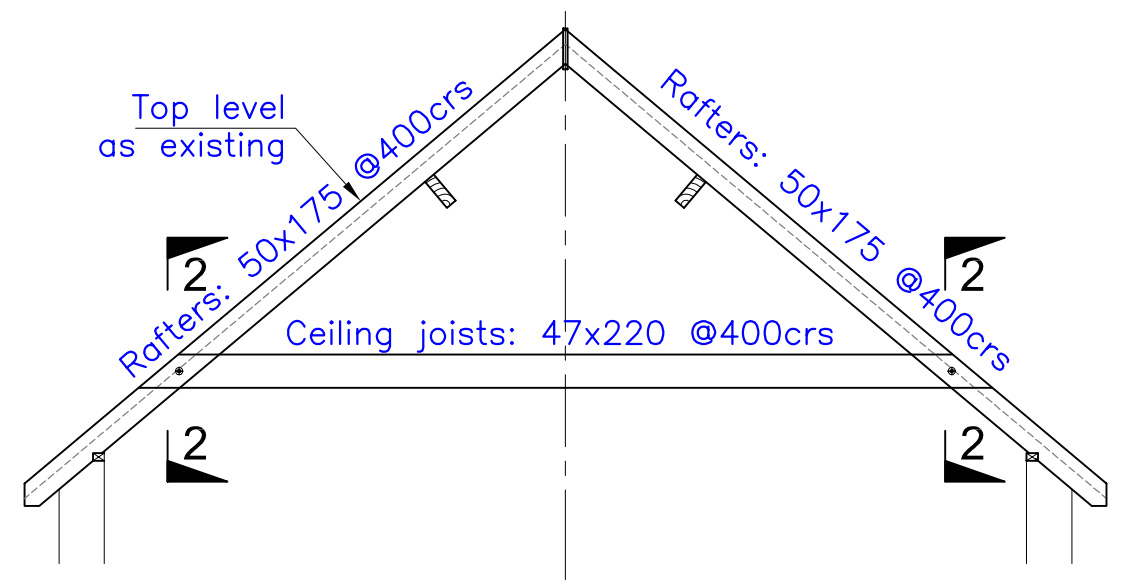


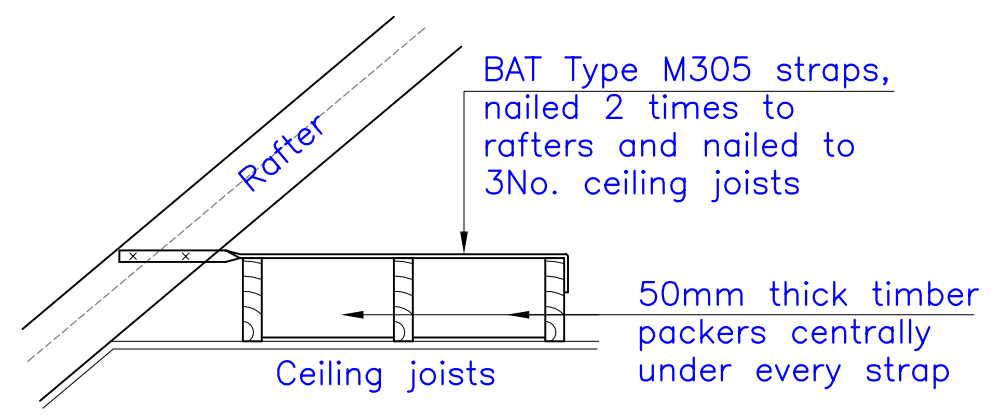
1ST FLOOR PLAN SHOWING ROOF STRUCTURE OVER

1:50



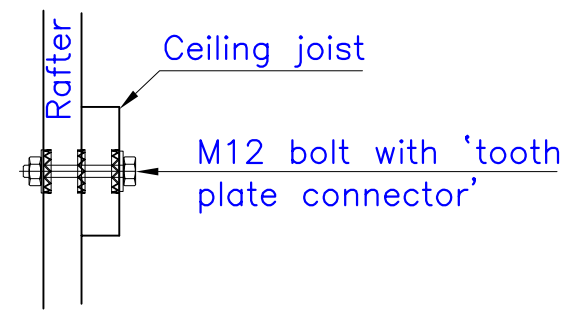
SECTION 1-1

1:50



SECTION 3-3

1:20



SECTION 2-2

1:10

- Notes:**
- 1) All timber to be grade C16 U.N.O.

Rev A:27-5-03: Section 3-3 added.

DES Associates Consulting Structural Engineers 55A High Street, Keynsham, BRISTOL, BS31 1DS Fax/Answerphone 0117 9866317: Tel: 0117 9861633 DCS Associates		Drawn By	Date	Scale.	JOB No.	Drw No. A
		RJW	23/5/03	1:50, 10	30508	1
Project		Cut Roof To Extension at				
		Paulton Bristol,				
Title		STRUCTURAL DETAILS				